

Framed Traditional Pedestal

Assembly and In-ground Installation

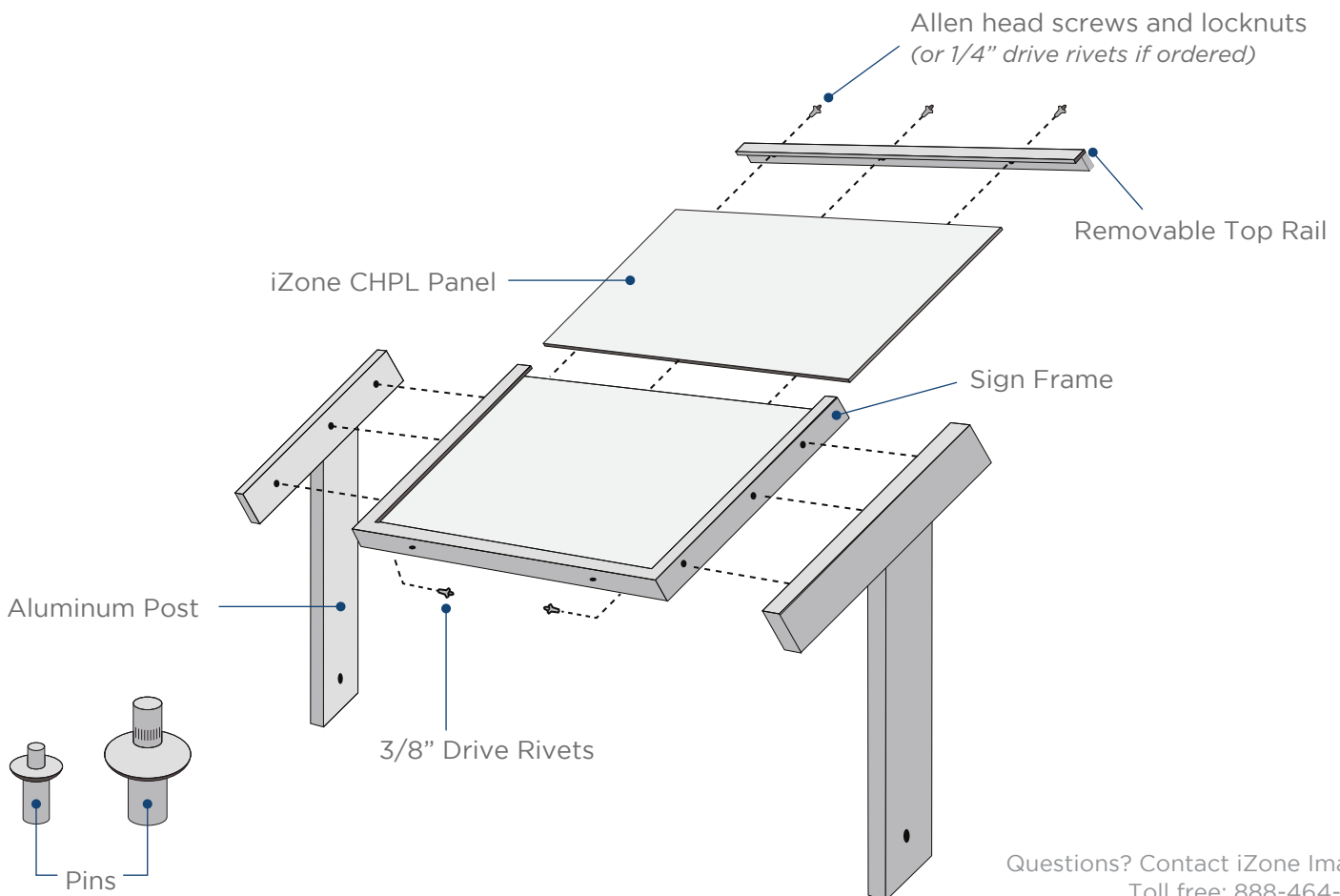
DIRECTIONS

1. Disassemble the frame's removable rail, insert the iZone panel, and verify it is correctly oriented. Reassemble frame, use Allen key set and 7/16" socket.
2. Attach the legs to the sign frame using the large drive rivets. With two people, lay one leg with rivet holes up on a flat surface. Align the frame's rivet holes perpendicular to the posts holes. Verify the removable rail is "up." Install rivets and punch rivet pin into rivet with a hammer. Repeat for the other leg and stabilize the first leg during assembly.
3. Dig an 8" diameter hole to 6" below the frost line, considering the desired install height from grade. Spaced 2" wider than measurement of the sign frame.
4. Add gravel, tamp and verify installation height.

TOOLS REQUIRED

- | | |
|--------------------|--------------------------------|
| • Allen key set | • Concrete |
| • 7/16" socket set | • Gravel |
| • Post hole digger | • Soil |
| • Shovel | • Tamping stick for gravel |
| • Hammer | • Kraft paper or plastic sheet |
| • Level | • Wood braces |
| • Tape Measure | |

5. Wrap post with kraft paper or plastic sheet to protect from concrete spatter. Stabilize post in hole with wood braces and clamps. Add prepared concrete, verify level, plumb and installation height.
6. Remove braces and plastic sheeting after concrete is set. Clean exhibit with soap and water, backfill if desired.



Questions? Contact iZone Imaging
Toll free: 888-464-9663