

Post Plate and Sleeve

In-Ground Mount and Surface Mount All Aluminum Construction

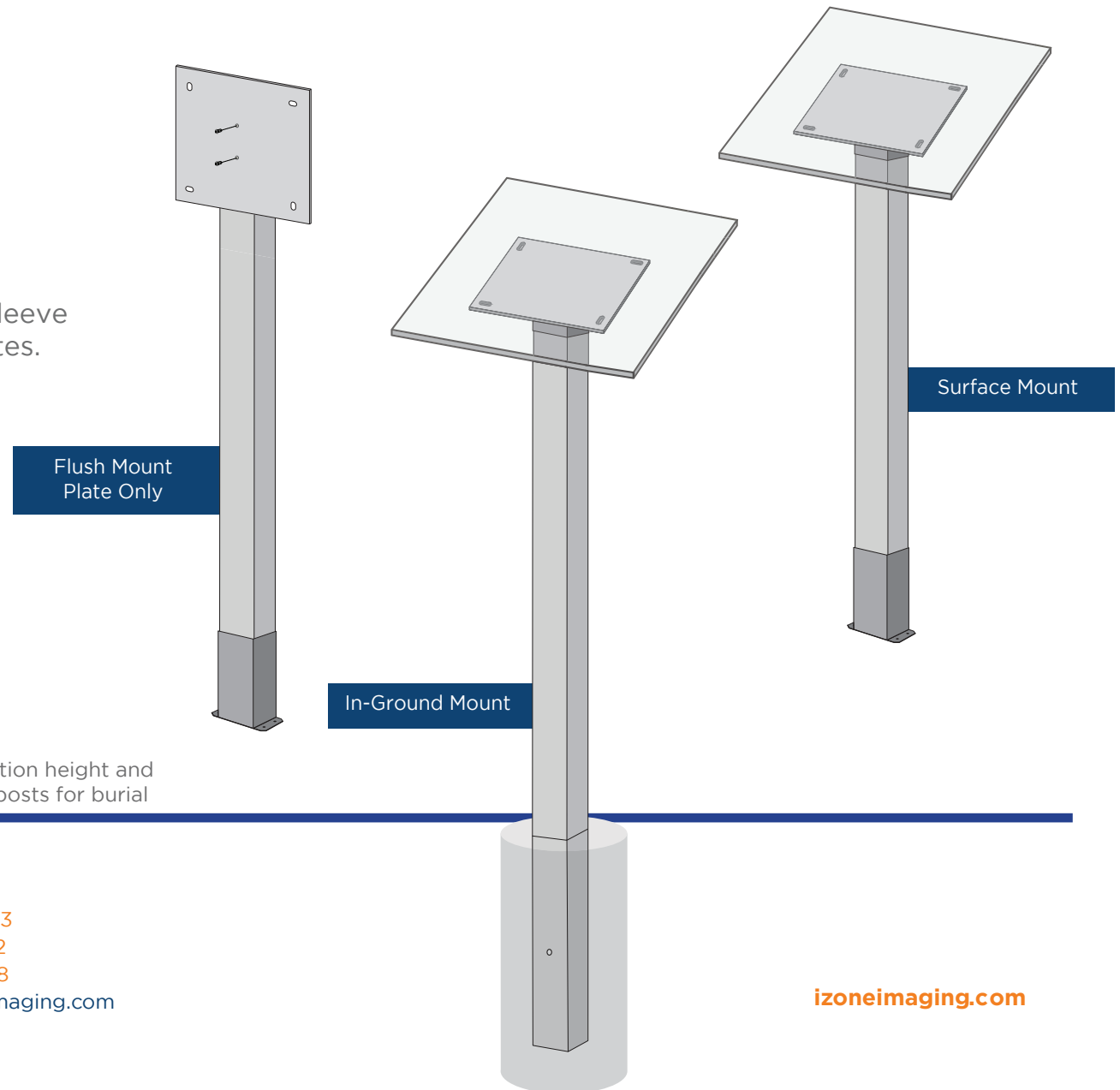
> Standard Mount Plate Sizes

- ✓ 6" x 6"
- ✓ 12" x 18"
- ✓ 12" x 12"
- ✓ 16" x 20"

6" x 6" mount plates welded to post sleeve with 2 part construction for larger plates.

> In-Ground or Surface Mount

Surface mount requires separate piece. Customer supplies post



* Post length is determined by panel height, installation height and burial depth. Panels over 24" h may require longer posts for burial



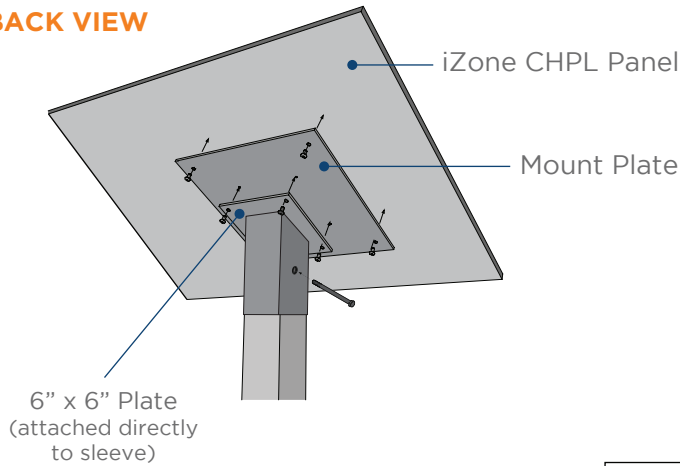
Toll Free 888.464.9663
Local 254.778.0722
Fax 254.778.0938
Email info@izoneimaging.com

izoneimaging.com

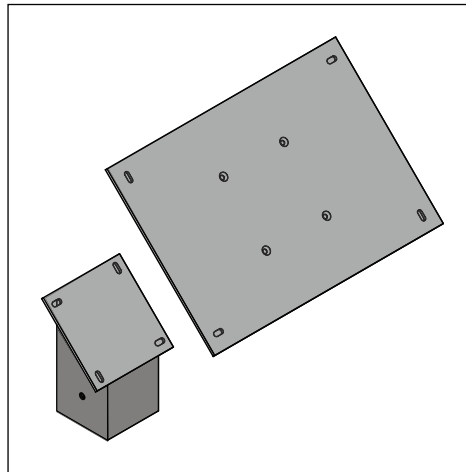
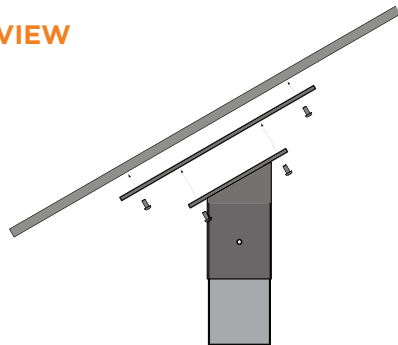
Post Plate and Sleeve

In-Ground Mount and Surface Mount
All Aluminum Construction

BACK VIEW

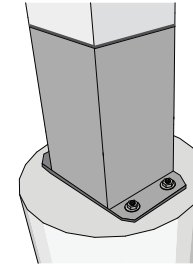


SIDE VIEW

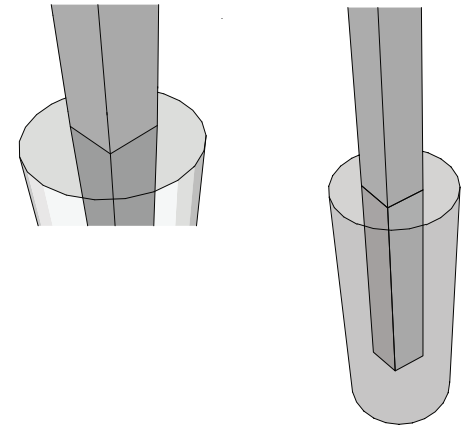


> Post Mounting Options

Surface Mount



In-Ground Mount



Project details pertaining to below grade installation depths, ADA requirements, wind loads, or other specifications, should be discussed with your Sales Representative at estimating.



Toll Free 888.464.9663
Local 254.778.0722
Fax 254.778.0938
Email info@izoneimaging.com

izoneimaging.com